



Technical data sheet

MyReserve Pack 24.3

Store energy. Safe, powerful, compact

MyReserve Pack is a powerful lithium-ion battery module for integration in MyReserve battery systems.

- Depth of Discharge is 100 %
- Unique battery efficiency of 99.2 %
- Long service life > 15 years
- Plug & play installation with contact-protected and polarity-reversal-protected connecting plugs
- One-person installation possible (only 25 kg)
- Certified safety with multi-stage safety controls
- Integrated battery management system with VTC supervisor
- Individual cell monitoring
- Dynamic adjustment of the charge current based on the current PV output and the household's internal consumption
- Maintenance-free
- No memory effect



Benefits

- **Best price**
- **Easy installation**
- **Certified safety**
- **Retrofit ready**

SMART PERFORMANCE CALCULATION:

- Calculation of the internal resistance per cell
- Determination of charging and discharging parameters in consideration of the internal resistance
- Calculation of SoC and SoH



SOLARWATT Service

FullCoverage Insurance
included*

Performance warranty
10 years performance warranty for min. 80 % of the usable energy of MyReserve Pack

Simple return policy
as per electrical and electronic equipment legislation

Professional consultation
Experts via hotline or on site

Guarantee of origin
Quality from Germany

* soweit ein Wechselrichter gemäß „Freigegebene Wechselrichter für MyReserve“ eingesetzt wird

General data

| | |
|--------------------------|--|
| Usable energy | 2,4 kWh |
| Depth of Discharge (DoD) | 100 % |
| Cell technology | Li-ion |
| Cell separator | Ceramic coating |
| BMS | VTC Supervisor ¹⁾ |
| Maximum efficiency | 99.2% |
| Weight | 25 Kg |
| Dimensions (W x H x D) | 384 mm X 200.5 mm X 277 mm (Depth: 260mm without fastening points) |
| Housing | Aluminum |
| Communication | iso SPI |
| Power connections | Power plug with integrated communication (contact-protection and polarity-reversal protection) ²⁾ |
| Battery fuse | Integrated |
| Warranty ³⁾ | 10 years (min. 80 % of the usable energy) |
| Cycle service life | unlimited number of full cycles during the warranty period |

Supported devices

| | |
|----------------|--|
| Battery system | MyReserve 500, MyReserve 800, MyReserve Command (20.2, 20.3, 20.4) |
|----------------|--|

Environmental and ambient conditions

| | |
|---|---|
| Permissible environmental operating temp. | 0°C to 30°C (max. 45°C) ⁴⁾ |
| Permissible storage temperature | -20°C to 30°C |
| Permissible transport temperature | -20°C to 55°C |
| Relative air humidity | ≤ 85% non-condensing |
| Protection rating | IP54 (with protective cover on the power plug outlet, otherwise IP20) |
| Installation location | Up to 2000m above sea level |

- 1) Continuous monitoring of all cell voltages, cell temperatures, and current. Shut-off of the system when parameter limits are exceeded.
- 2) The battery poles are voltage-free when the battery is removed
- 3) The corresponding warranty conditions apply
- 4) There are no limitations on performance for the household in the range from appr. 0°C to appr. 30°C. While charging there is a power throttling on appr. +10°C and colder to zero at appr.-2°C. Operation does not take place below appr. -15°C or above appr. +44°C. Accelerated aging of the cells should be expected at temperatures above appr. +44°C.

Certifications and standards

tested by accredited testing laboratories acc. to UN38.3

As a part of MyReserve:

Safety Guidelines for Li-ion household battery system Version 1.0
 E DIN EN 62619:2014 (VDE 0510-39)
 DIN EN 50272-1:2011 (VDE 0510-1)
 DIN EN 61010-1:2011 (VDE 0411-1)
 DIN EN 61000-6-1:2007 (VDE 0839-6-1)
 DIN EN 61000-6-3:2011 (VDE 0839-6-3)

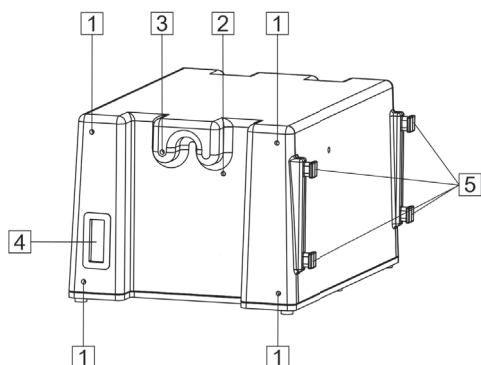
Conformity to:

EU-Directives (CE): 2014/35/EU (LVD)
 2014/30/EU (EMC)
 2011/65/EU (RoHS)

Cells (among others) tested acc. to:

UN38.3
 Automotive-Standards (EUCAR Abuse Level 3)

Dimensions



| | |
|---|--------------------------------------|
| 1 | Fastening holes for protective cover |
| 2 | Fastening holes battery cable |
| 3 | Ground connection |
| 4 | Connection for battery cable |
| 5 | Mounting bracket |

required accessory: Accessory Kit MyReserve Pack